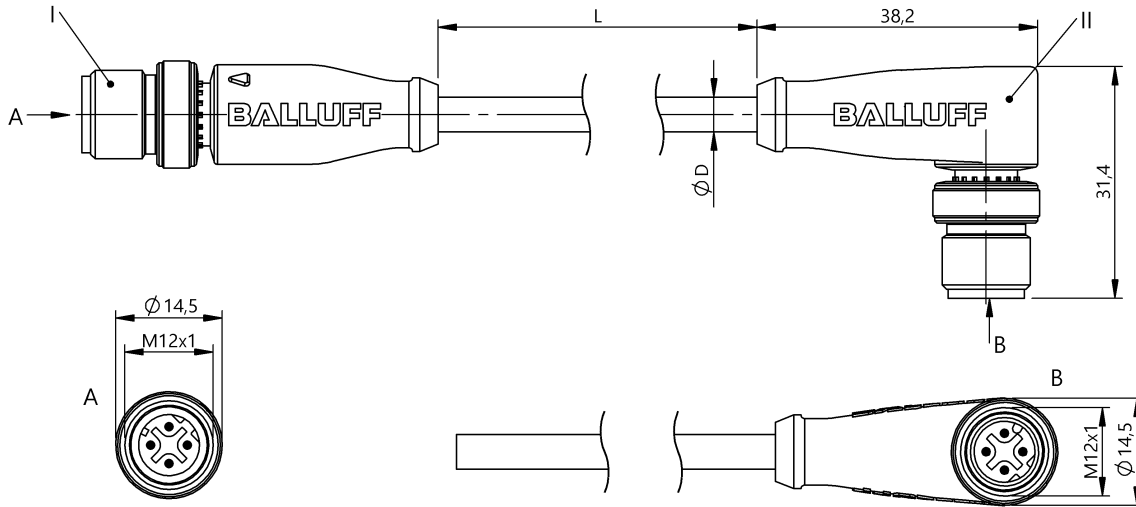


Double-Ended Cordsets
BCC M414-M424-6D-366-EX64N9-100
Order Code: BCC0CN2

BALLUFF



Basic features

| | |
|----------------------------|---------------------|
| Application | Ethernet |
| Approval/Conformity | CE cULus WEEE |

Electrical connection

| | |
|--|---------------------------------------|
| Bending radius min., flexible cable | 10 x D |
| Cable | TPE teal, 10 m, drag chain compatible |
| Cable diameter D | 5.50 mm ±0.13 mm |
| Cable, bending cycles min. | 1 mil. |
| Cable, note | Ethernet |
| Conductor cross-section | 24 AWG |
| Connection 1 | M12x1-Male, straight, 4-pin, D-coded |
| Connection 2 | M12x1-Male, angled, 4-pin, D-coded |
| Number of conductors | 4 |
| System | Molded/Molded |

Electrical data

| | |
|--|--------------------|
| Cable rated voltage AC max. | 300 V |
| Cable rated voltage DC max. | 300 V |
| Conductor construction | 2x2 twisted-pair |
| Conductor resistance | ≤ 26.0 Ohm/1000 ft |
| Coupling resistance max. | 100 Ohm ±15 Ohm |
| Operating capacitance | 13.5 pF/ft |
| Operating voltage U_b | 60 VDC |
| Rated current (40 °C) | 1.5 A |
| Transfer rate | 10/100 Mbit/s |

Environmental conditions

| | |
|--|-------------------------------------|
| Cable temperature, flexible routing | -40...105 °C |
| IP rating | IP67, IP68, IP69K/IP67, IP68, IP69K |

Material

| | |
|---------------------------------|---|
| Cable jacket, material | TPE |
| Material contact carrier | PUR/PUR |
| Material contacts | Brass/Brass |
| Material cover nut | Brass nickel-plated/Brass nickel-plated |
| Material grip | PUR/PUR |

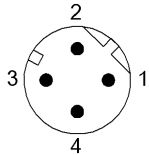
Mechanical data

| | |
|----------------------------------|-----------------------|
| Cable jacket, color | teal |
| Cable length L | 10.00 m |
| Cable properties | drag chain compatible |
| Tightening torque pigtail | 0.6 Nm/0.6 Nm |

Remarks

Cable construction per UL CMX Outdoor
Enclosure rating per IEC 60529 or 20653, only in screwed state with the associated mating piece.

Connector Drawings



I, II

PIN 1: white/orange

PIN 2: white/green

PIN 3: orange

PIN 4: green

Wiring Diagrams

